

Type	Sliding Window & Door
System Depth	88 mm
U-Value	$U_f=2.2 \text{ W/m}^2\cdot\text{K}$

UTENCH UTW88

UTENCH UTW88 sliding system was, as the whole UTENCH product line, developed with large projects in mind.







This cost-optimized 3-chamber sliding window and sliding door system can meet most budget constraints for large projects but also fulfills all technical specifications for projects which do not require especially high insulation values. The UTENCH UTW 88 provides various frame designs, including 3rd half-rail for an in-line fly-net as well as a full 3rd track for 3 full sashes, stackable at one side to allow an opening ratio of 67%. Combination windows can be fabricated easily and seamlessly in combination with the UTENCH UTW60 profile range.

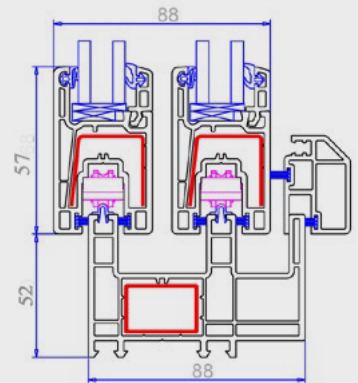
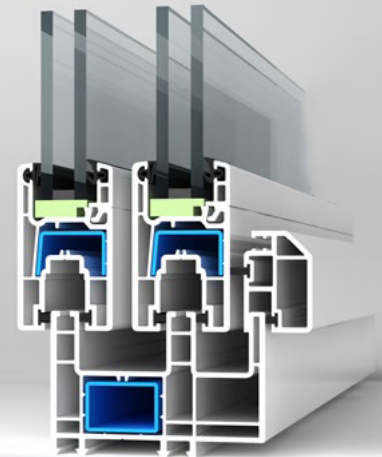
- ◆ System $U_f 2.2 \text{ W/m}^2\cdot\text{K}$ (including steel reinforcements)
- ◆ System depth 88mm – 3 Chambers
- ◆ Glazing width range from 4mm to 22mm
- ◆ Available in profile wall thickness “Class A” and “Class B”

U-Values by Glass configuration

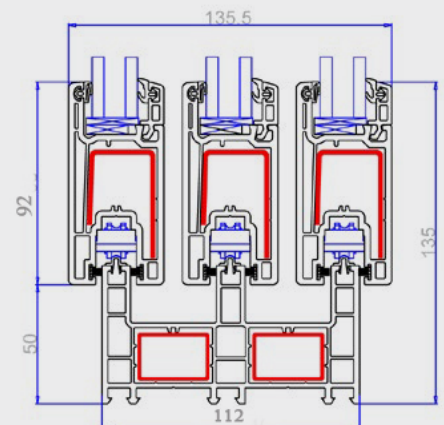
U-Value Std window	Glass Thickness	Glass Configuration	Glass U-Value
2.2 $\text{W/m}^2\cdot\text{K}$	22mm	5ssLow-E+12A+5	1.75 $\text{W/m}^2\cdot\text{K}$
2.3 $\text{W/m}^2\cdot\text{K}$	19mm	5ssLow-E+9A+5	2.0 $\text{W/m}^2\cdot\text{K}$
2.7 $\text{W/m}^2\cdot\text{K}$	22mm	5+12Ar+5	2.5 $\text{W/m}^2\cdot\text{K}$

Color options

Standard White		White
Laminated	    	moss green dark oak golden oak mahogany dark grey



↑ Window standard



↑ Door standard

Inquiry To:

Email: hello@utench.com

Whatsapp: +86-18615645060