

Type	Sliding Window & Door
System Depth	80 mm
U-Value	$U_f=2.3W/m^2\cdot K$

UTENCH UTW80

UTENCH UTW80 complements the UTW60 casement system with sliding solutions.

A wide range of sliding frames allow for in-line fly-net application as well as for full Acryl-Color CoEx cover between the sliding rails. The sashes run on an aluminum track so even heavy sashes can run smoothly.

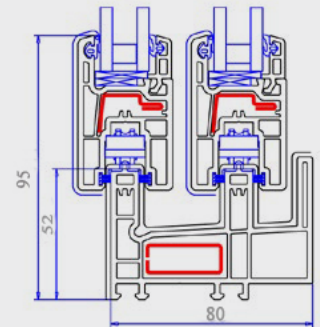
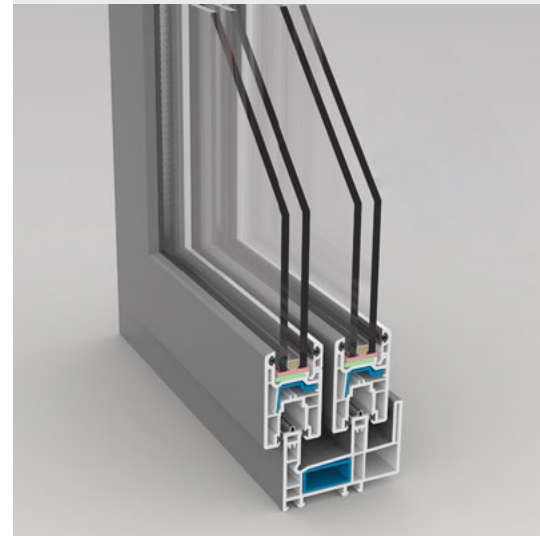
- ◆ System $U_f 2.3 W/m^2\cdot K$ (including steel reinforcements)
- ◆ System depth 80mm – 3 Chambers
- ◆ Glazing width range from 4mm to 19 mm
- ◆ Available in profile wall thickness “Class A” and “Class B”

U-Values by Glass configuration

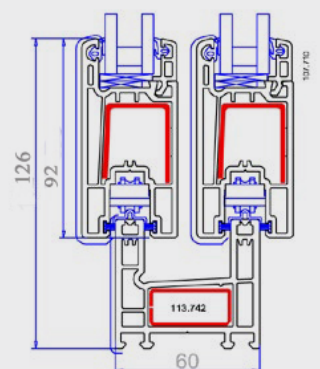
U-Value Std window	Glass Thickness	Glass Configuration	Glass U-Value
2.3 $W/m^2\cdot K$	19 mm	5ssLow-E+9A+5	2.0 $W/m^2\cdot K$
2.8 $W/m^2\cdot K$	19 mm	5+9Ar+5	2.6 $W/m^2\cdot K$

Color options

Standard White		White			
Acryl-Color COEX					
	dark brown	light grey	dark grey		
	Laminated				
moss green		dark oak	golden oak	mahogany	dark grey



↑ **Window** Acryl-Color COEX



↑ **Door** Acryl-Color COEX

Inquiry To:

Email: hello@utench.com
Whatsapp: +86-18615645060